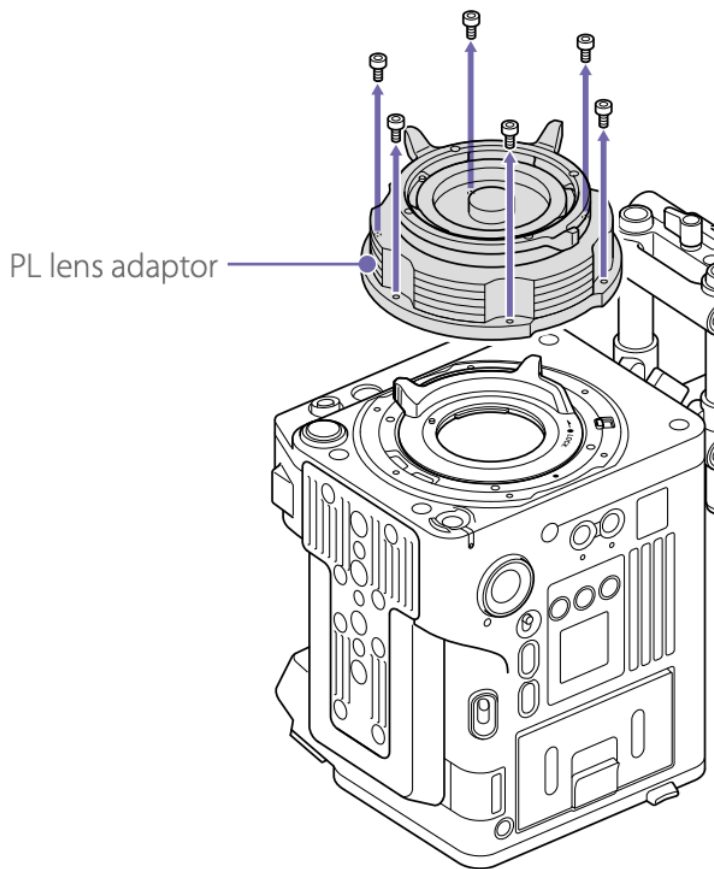


## Removing the PL Lens Adaptor

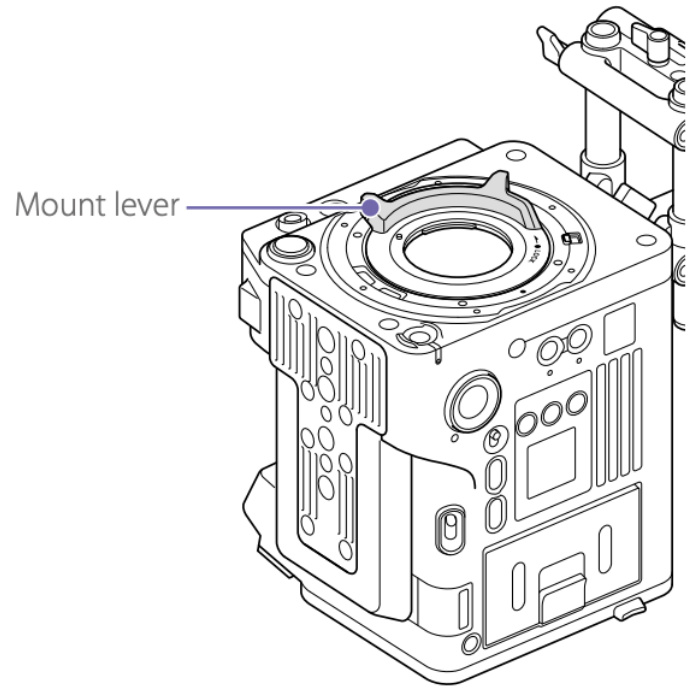
Remove the PL lens adaptor when you want to mount an E mount lens to the unit. Attachment/removal is performed with the rear side of the unit facing down.

Remove the six hex screws (2.5 mm) and remove the PL lens adaptor.



## To attach the PL lens adaptor

- 1 Check that the mount lever is in the locked position.



- 2 Place the PL lens adaptor back in its original position, insert the six hex screws (2.5 mm), and tighten the screws to a tightening torque of  $0.8 \pm 0.12$  N·m using a hex wrench (2.5 mm).

### [Notes]

- Removing the battery and placing the rear side of the unit face down provides stability.
- When attaching/removing the adaptor, take care not to touch the connector contacts of the unit and PL lens adaptor.